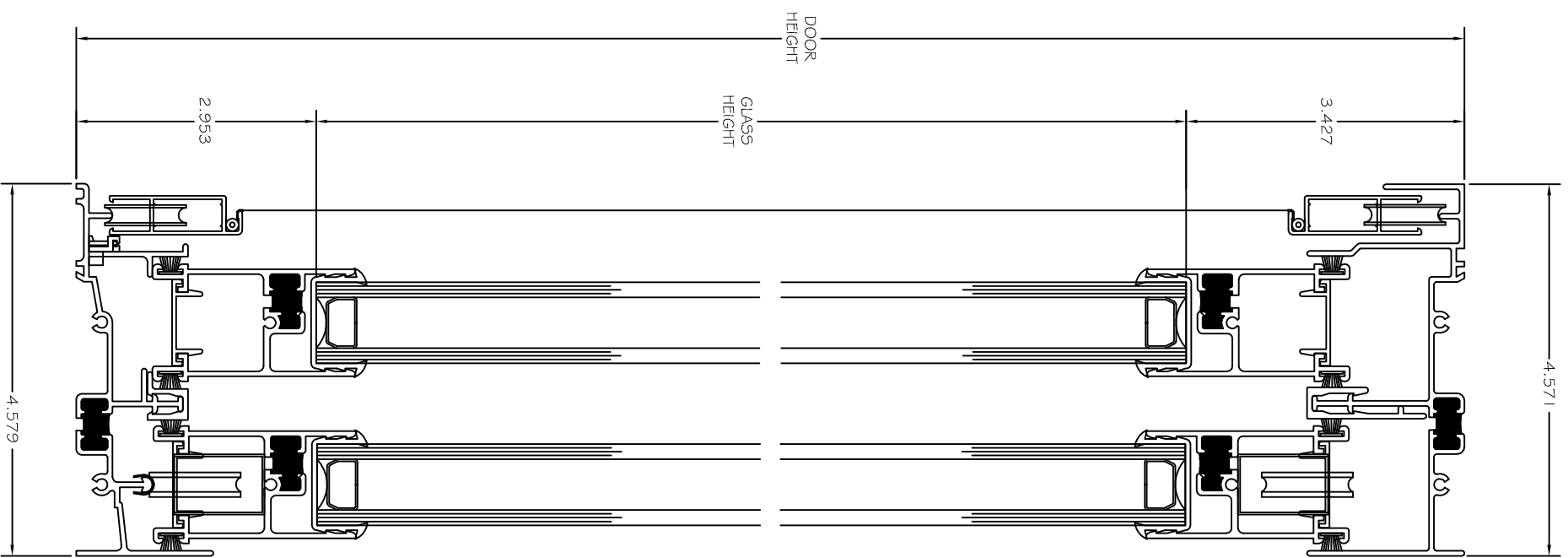
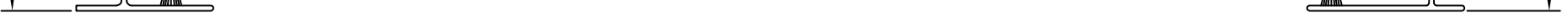


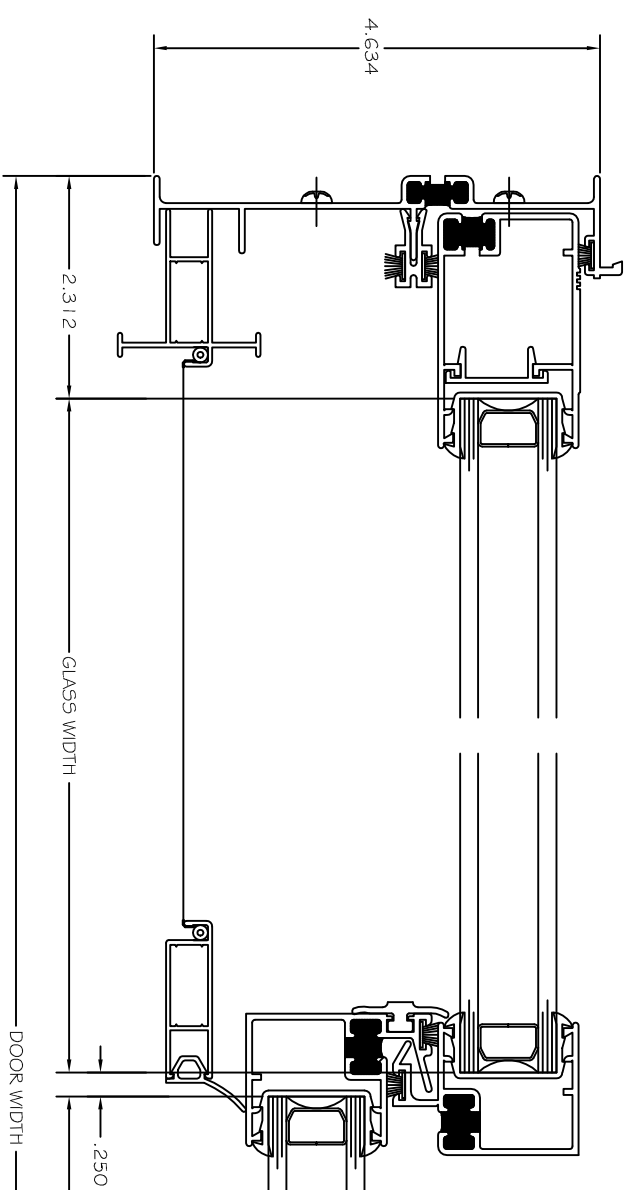
SECTION 1
HEAD



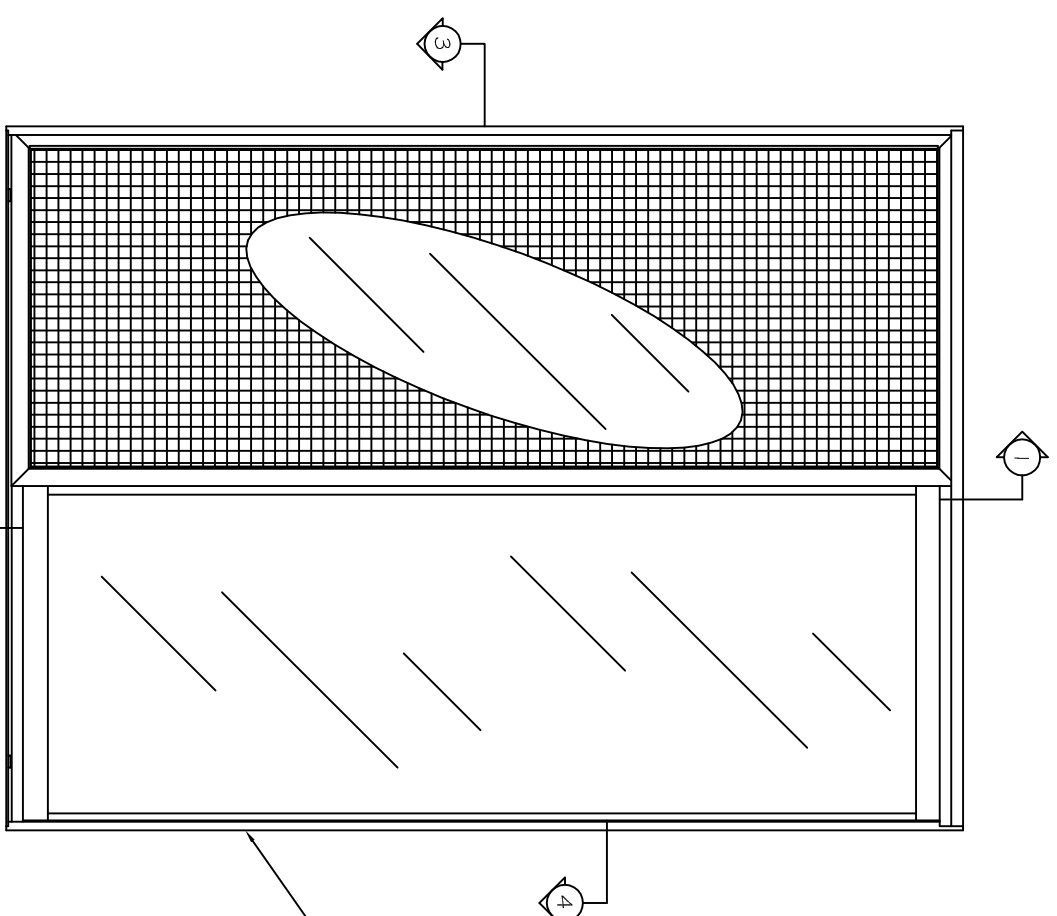
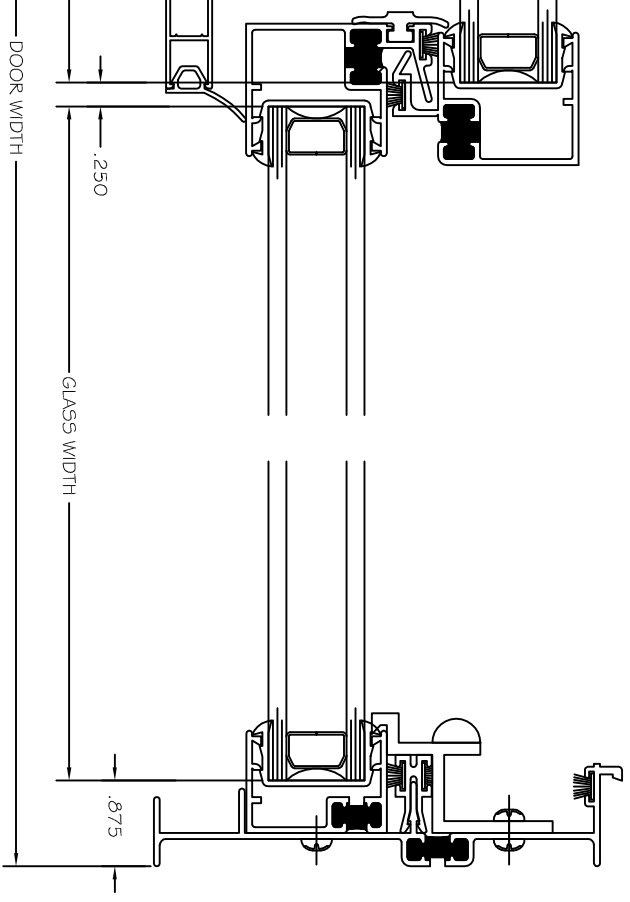
SECTION 2
SILL



SECTION 3
JAMB

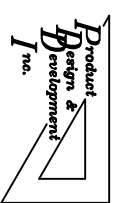


SECTION 4
JAMB



EXTERIOR ELEVATION

MODIFY SCALE X 8 FOR
ACTUAL SIZE OF WINDOW



COLUMBIA GLASS

Product Design & Development Inc.	Designed By: RLB	Date: 2-23-06
Phone No: 717-741-4844	Checked By: FULL	Date:
Fax No: 717-741-4625	Scale:	Rev:
E-mail: pddi@blazenet.net	Part Name: ASSEMBLY	
	Project Title: SLIDING GLASS DOOR (INFERNA)	
	Project No: 3425-A-08	Series: C-2500